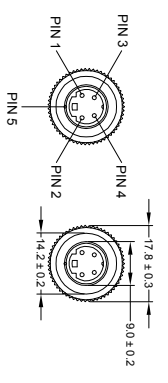
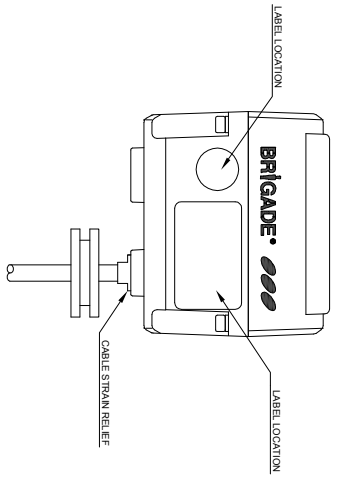


VIEW A



4 PIN MINI DIN MALE MATING FACE

PIN#	WIRE COLOR	DESCRIPTION
1	YELLOW	VIDEO
2	RED	+12V
3	BLUE	N/C
4	WHITE	AUDIO
5	BLACKSHIELD	GND

NOTES:

1. REFER TO "PRODUCT SPECIFICATION" FOR MORE DETAILS.
2. REFER TO COMPONENT DRAWINGS FOR COMPONENT DETAILS.
3. ENSURE SELF AMALGAMATING TAPE IS USED DURING INSTALLATION.
4. ANY CUSTOMER MODIFICATION OF THIS PRODUCT CAUSING SUBSEQUENT FAILURE IS NOT A LIABILITY OF BRIGADE ELECTRONICS PLC.

PROPRIETARY NOTICE

THIS DESIGN AND TECHNICAL INFORMATION APPEARING ON THIS DRAWING IS THE PROPERTY OF BRIGADE ELECTRONICS, AND IS DISCLOSED IN CONFIDENCE. IT IS NOT TO BE COPIED, REPRODUCED, REVEALED TO OR EXPLOITED BY OTHERS, EITHER IN WHOLE OR IN PART WITHOUT THE EXPRESS WRITTEN CONSENT OF BRIGADE ELECTRONICS.



Assembly Pl Approval		Approved by		Checked by		Drawn by	
-		DKERAL		JNEWMAN		MBUTLER	
Angle of Projection		Units	Scale	Released	Assembly Ref		
Third Angle		mm	N/A	29/09/10	-		
-		Status	Released				
-		Part No	#3482A				
-		BE-800C(78)-C		BE-001256-01-10			